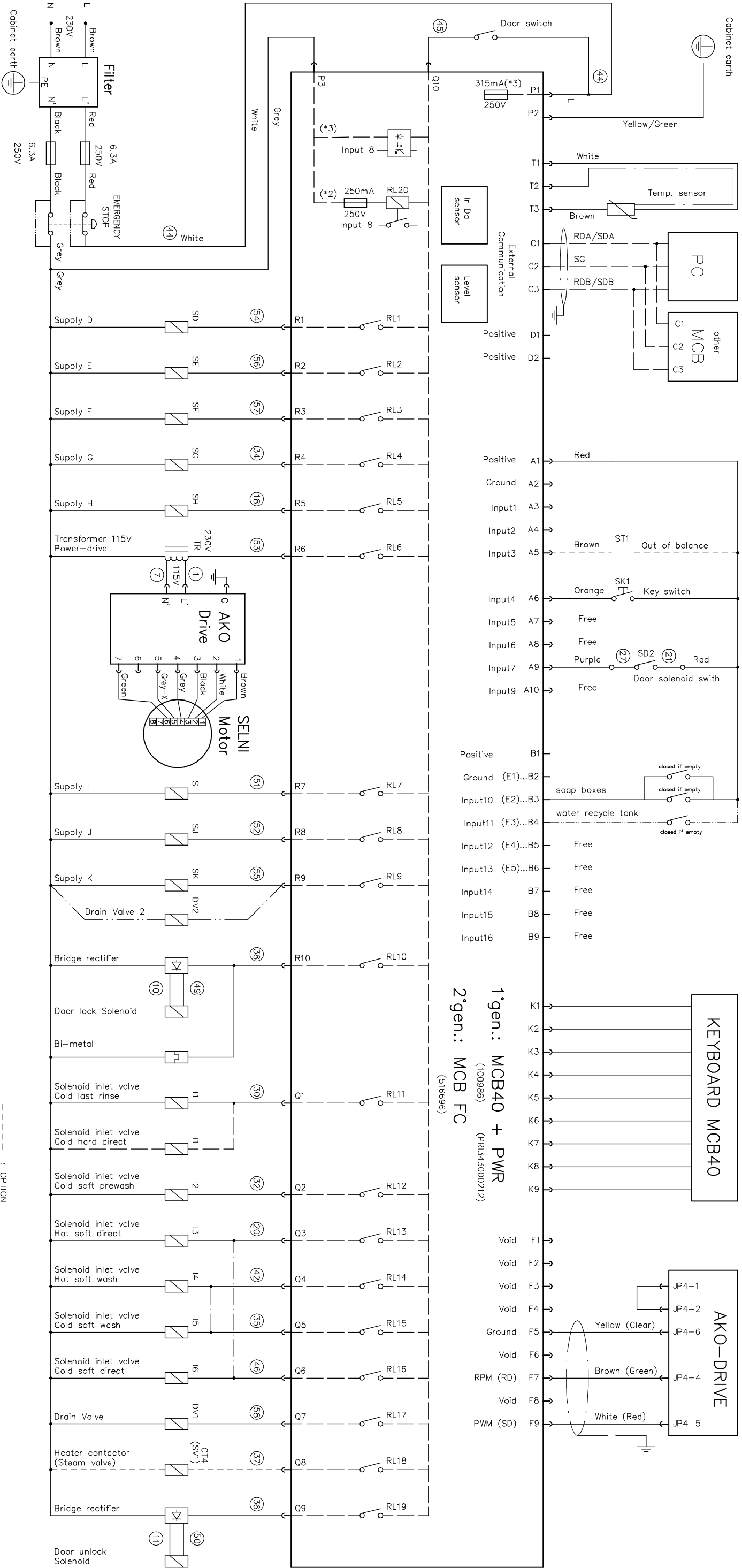


--- : COIN MACHINES  
 - - - - : EXTERNAL PAYMENT SYSTEM  
 - - - - : CS/MS/CH (HARD WATER)  
 - - - - : CS/CH (NO HOT WATER)  
 - - - - : Electrical heating  
 o : CONNECTION POINT  
 \*2 : valid for MCB40 (input 8 by relay RL20)  
 \*3 : valid for MCBFC (input 8 by optocoupler)

Machine types where used	200V/208V/440V 400V without N	Tolerance	Ra	Scale:	Weight:
Rigid:	6 - 10kg			Material:	
				Rough dimensions:	
				Standard for rough material:	

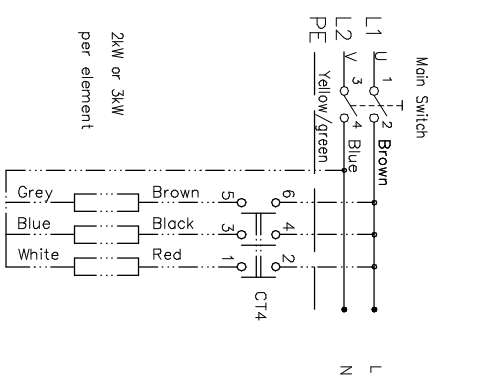
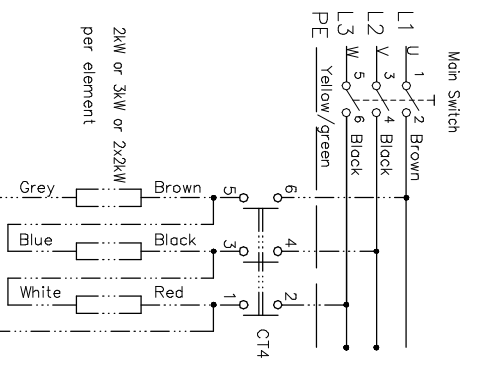
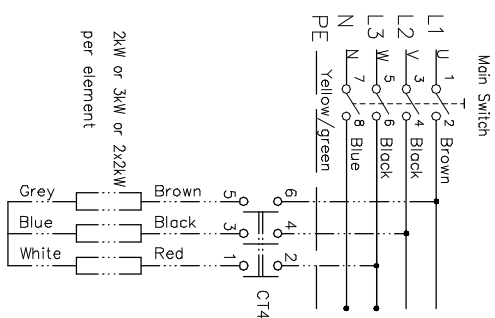
SCHEMATIC DIAGRAM		MCB-40-FC Timer / AKO drive	
Page: 1	960	508 467	Page: 1
Std	Modification	Date	Replaces:
			Replaced by:



Connection 380-415V 3AC+N 50/60Hz

Connection 220-240V 3AC 50/60Hz

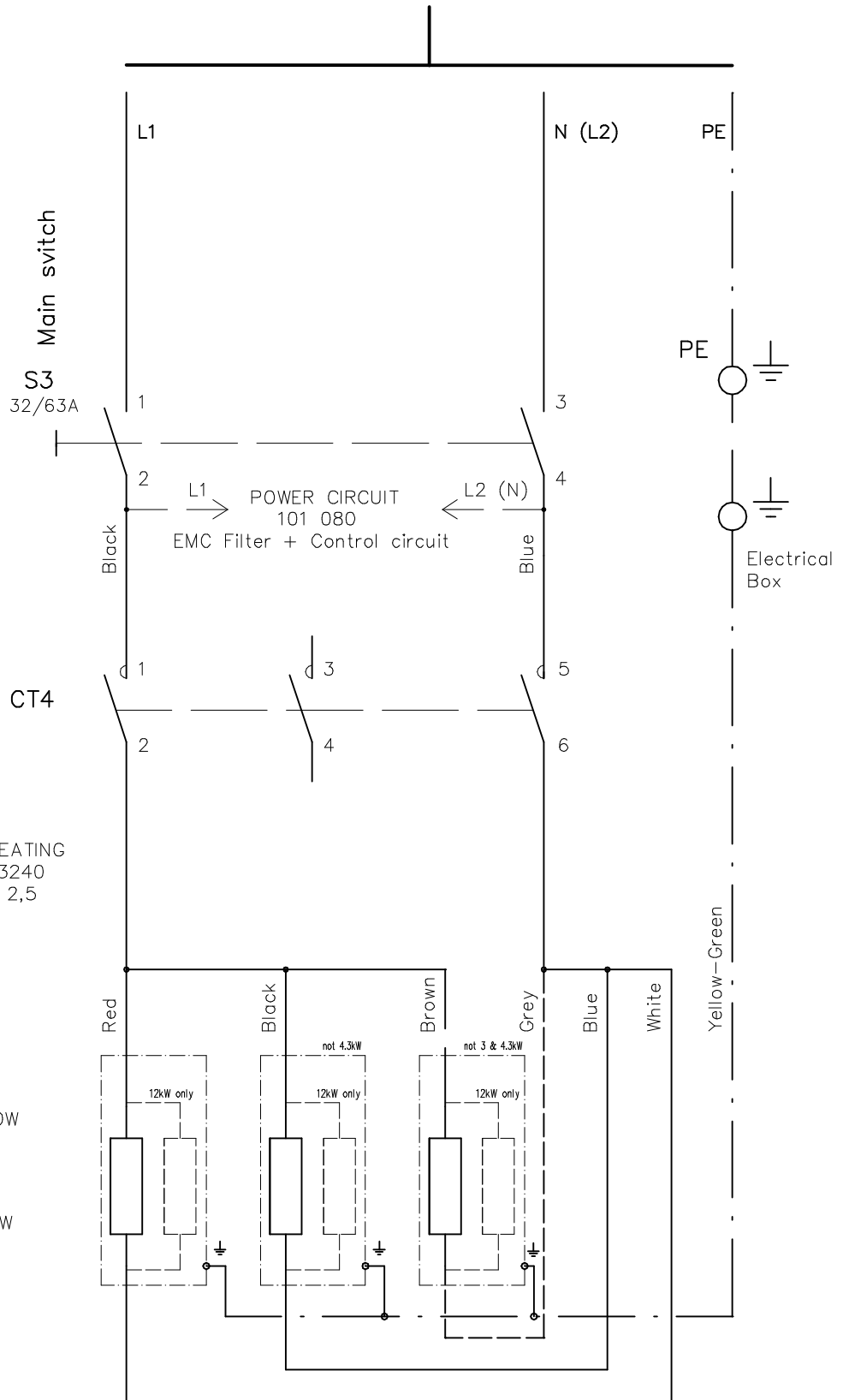
Connection 220-240V 1AC 50/60Hz



- : OPTION
- : COIN MACHINES
- : EXTERNAL PAYMENT SYSTEM
- : CS/MS/CH (HARD WATER)
- : CS/CH (NO HOT WATER)
- : ELECTRICAL HEATING
- o : CONNECTION POINT
- \*2 : valid for MCB40 (Input 8 by relay RL20)
- \*3 : valid for MCBFC (Input 8 by optocoupler)

Machine types where used		Tolerance		Scale:	
Rigid: 6 - 10kg		Ra		Material:	
				Rough dimensions:	
				Standard for rough material:	
				Author: 21.11.02 P.S.	
				Date: 21.11.02	
				Approv:	
				Releases:	
				SCHEMATIC DIAGRAM	
				MCB-40/FC Timer / AKO drive	
				960 508 465	
				Page: 1	
				Pages: 1	
Std: Modification		Date		Replaces:	
				Replaced by:	

- 3kW  
Power supply cable 3 x 4mm<sup>2</sup>  
FUZE – 25A
- 4,6kW  
Power supply cable 3 x 6mm<sup>2</sup>  
FUZE – 32A
- 6kW  
Power supply cable 3 x 6mm<sup>2</sup>  
FUZE – 40A
- 9kW  
Power supply cable 3 x 10mm<sup>2</sup>  
FUZE – 50A
- 12kW  
Power supply cable 3 x 16mm<sup>2</sup>  
FUZE – 63A



WIRING HEATING  
PRI351103240  
7 x HAR 2,5

- HEATING ELEMENTS
- 3kW: 1 x 2x1500W
  - 4,3kW: 1 x 2x2300W
  - 6kW: 3 x 2000W
  - 9kW: 3 x 3000W
  - 12kW: 3 x 2x2000W

Machine types where used R/F – 1 x 230V				Toleration	Roughness	Scale:	Weight:
				Material: Rough dimensions: Standard for rough material:			
				Date 25.5.04	Name PaSt	<p>Connection diagram</p> <p>El heating 3/4,3/6/9/12kW – 1ph.</p>	
				Author	Check		
				Check	Releas.		
				Releas.	Releas.		
B	3 & 4,6kW add	25.05.06	PSt	–			Page: 1
A	N – to CT4	25.05.06	PSt	–	960	516 098	Pages: 1
Stat	Modification	Date	Name	Proj.	Replaces:	Replaced by:	